
Comfort-Cire®

Century®

PARTS LIST

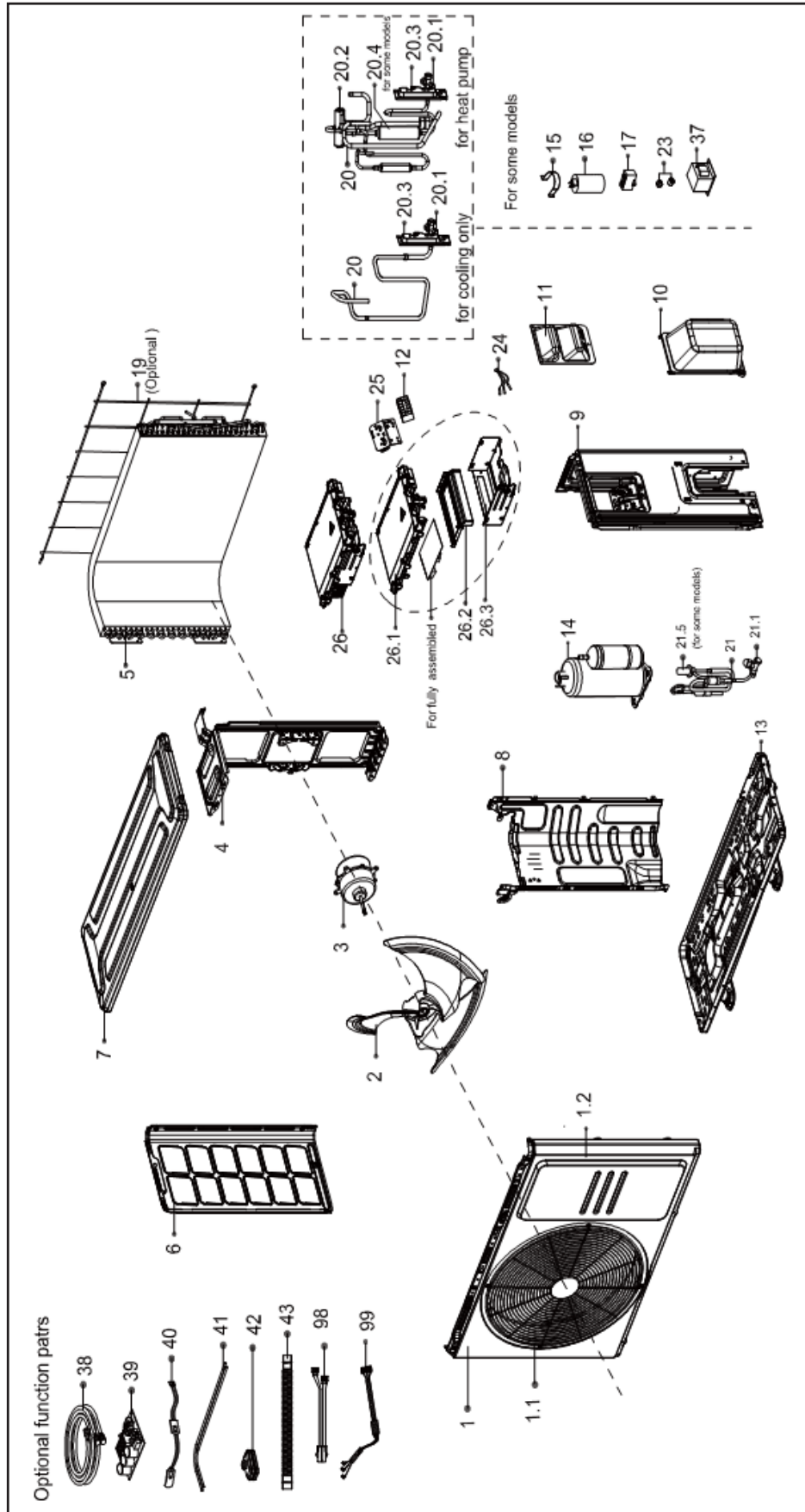
**Single Zone Ductless Mini-Split
with Inverter Technology**

DVH12SH-0

REPLACEMENT PARTS

| Location | Part Name | Quantity | Part No. |
|----------|--|----------|----------------|
| 1 | Panel assembly | 1 | 12122000A75690 |
| 2 | Filter filter subassembly | 2 | 12100204000522 |
| 4 | Cover of electrical equipment | 1 | 12122000006755 |
| 5 | Panel frame assembly | 1 | 12122000001726 |
| 5.1 | Screw Cap | 1.0 | 12122000009477 |
| 6 | Front cover of chassis(right) | 1 | 12122000004587 |
| 8 | Horizontal louver assembly | 1 | 12122000005815 |
| 9 | Evaporator assembly | 1 | 15822000012290 |
| 10 | Fan motor cover | 1 | 12122000005540 |
| 11 | Brushless DC Motor | 1 | 11002015006201 |
| 12 | Bearing Holder | 1 | 12122000000350 |
| 13 | Bearing components | 1 | 12622000000131 |
| 14 | Cross Flow Fan | 1 | 12100102000044 |
| 16 | Chassis assembly | 1 | 12122000030183 |
| 16.1 | Stepper Motor | 1.0 | 11002010000143 |
| 16.2 | Drain Hose | 1.0 | 12100501000032 |
| 16.3 | Vertical Vane Subassembly | 1.0 | 12122000000038 |
| 16.4 | Front cover of chassis(left) | 1.0 | 12122000010098 |
| 16.5 | Insulated axis | 1.0 | 12122000000344 |
| 16.6 | Drainage plug | 1.0 | 12622000000030 |
| 17 | pipe clamp board | 1 | 12122000012943 |
| 18 | Installation plate | 1 | 12222000A00811 |
| 19 | Electronic control box subassembly (Mid-and low-end) | 1 | 17222000037238 |
| 19.1 | Electronic Control Box | 1.0 | 12122000004577 |
| 19.2 | Left cover of electronic control box | 1.0 | 12122000004639 |
| 19.3 | Right cover of electronic control box | 1.0 | 12122000004632 |
| 19.4 | Main control board subassembly | 1.0 | 17122000055270 |
| 19.5 | Room temperature sensor | 1.0 | 11201007003424 |
| 19.6 | Pipe Temperature Sensor | 1.0 | 11201007003447 |
| 19.7 | Terminal | 1.0 | 17400401000006 |
| 20 | Cover of electronic control box | 1 | 12122000005020 |
| 21 | Remote controller | 1 | 17317000A63768 |
| 22 | seal ring | 1 | 12600701000039 |
| 23 | Drain hose | 1 | 12100509000061 |
| 40 | Air freshening filter | 2 | 12100206000056 |
| 42 | Check valve | 1 | 15500209000001 |
| 45 | Bracket of remote Controller | 1 | 12122000029201 |
| 46 | Copper nut | 1 | 15500406000016 |
| 46 | Copper nut | 1 | 15500406000012 |
| 53 | Display box subassembly | 1 | 17222000A07041 |
| 53.1 | Display board subassembly | 1.0 | 17122000A07845 |
| 53.2 | Display box | 1.0 | 12122000A03192 |
| 53.3 | Adapter Plate Subassembly | 1.0 | 17122000046739 |

EXPLODED VIEW



REPLACEMENT PARTS

| Location | Part Name | Quantity | Part No. |
|----------|--|----------|----------------|
| 1 | Front panel assembly | 1 | 12222000A06317 |
| 1.1 | Air outlet grille | 1.0 | 12222000A06091 |
| 1.2 | Front panel | 1.0 | 12222000A06318 |
| 2 | Axial flow fan | 1 | 12100105000961 |
| 3 | Brushless DC Motor | 1 | 11002015012128 |
| 4 | Motor Bracket | 1 | 12222000013233 |
| 5 | Condenser Assembly | 1 | 15822000010456 |
| 6 | Left Side Panel | 1 | 12222000013238 |
| 7 | Top cover assembly | 1 | 12222000013240 |
| 8 | Partition board assembly | 1 | 12222000013665 |
| 9 | Right clapboard assembly | 1 | 12222000013225 |
| 10 | Water collector | 1 | 12122000007150 |
| 11 | Big handle assembly | 1 | 12222000010966 |
| 12 | Terminal | 1 | 17400401000068 |
| 13 | Chassis assembly | 1 | 12222000013431 |
| 14 | DC Inverter rotary compressor | 1 | 11103020006759 |
| 19 | Rear net | 1 | 12222000015606 |
| 20 | 4-way Valve Assembly | 1 | 15422000022235 |
| 20.1 | Gas valve | 1.0 | 15500204000058 |
| 20.2 | 4-way valve | 1.0 | 15500216002143 |
| 20.3 | Valve plate | 1.0 | 12222200005738 |
| 20.4 | Muffler subassembly | 1.0 | 15122000026590 |
| 21 | Liquid valve assembly | 1 | 15422000017980 |
| 21.1 | Liquid valve | 1.0 | 15500208000046 |
| 23 | Copper nut | 1 | 15500406000016 |
| 23 | Copper nut | 1 | 15500406000012 |
| 24 | Combination Sensor | 1 | 11201011000067 |
| 25 | Terminal board | 1 | 12222000002259 |
| 26 | Electronic control box subassembly | 1 | 17222000039291 |
| 26.2 | Fixing board | 1.0 | 12122000024222 |
| 26.3 | Electronic installing box subassembly | 1.0 | 12222000012106 |
| 26.5 | Outdoor main control board subassembly | 1.0 | 17122000061152 |
| 37 | Reactor | 1 | 17400306001263 |
| 40 | Crankcase electric heater | 1 | 17402001000599 |
| 41 | Electric heating tube | 1 | 17402002000465 |
| 43 | Drain Hose | 1 | 12100509000059 |
| 99 | Compressor Wires Subassembly | 1 | 17401203012697 |

Due to ongoing product improvements, specifications and dimensions are subject to change and correction without notice or incurring obligations. Determining the application and suitability for use of any product is the responsibility of the installer. Additionally, the installer is responsible for verifying dimensional data on the actual product prior to beginning any installation preparations.

Incentive and rebate programs have precise requirements as to product performance and certification. All products meet applicable regulations in effect on date of manufacture; however, certifications are not necessarily granted for the life of a product. Therefore, it is the responsibility of the applicant to determine whether a specific model qualifies for these incentive/rebate programs.

Comfort-Cire® 

1900 Wellworth Ave., Jackson, MI 49203 • Ph. 517-787-2100 • www.marsdelivers.com

